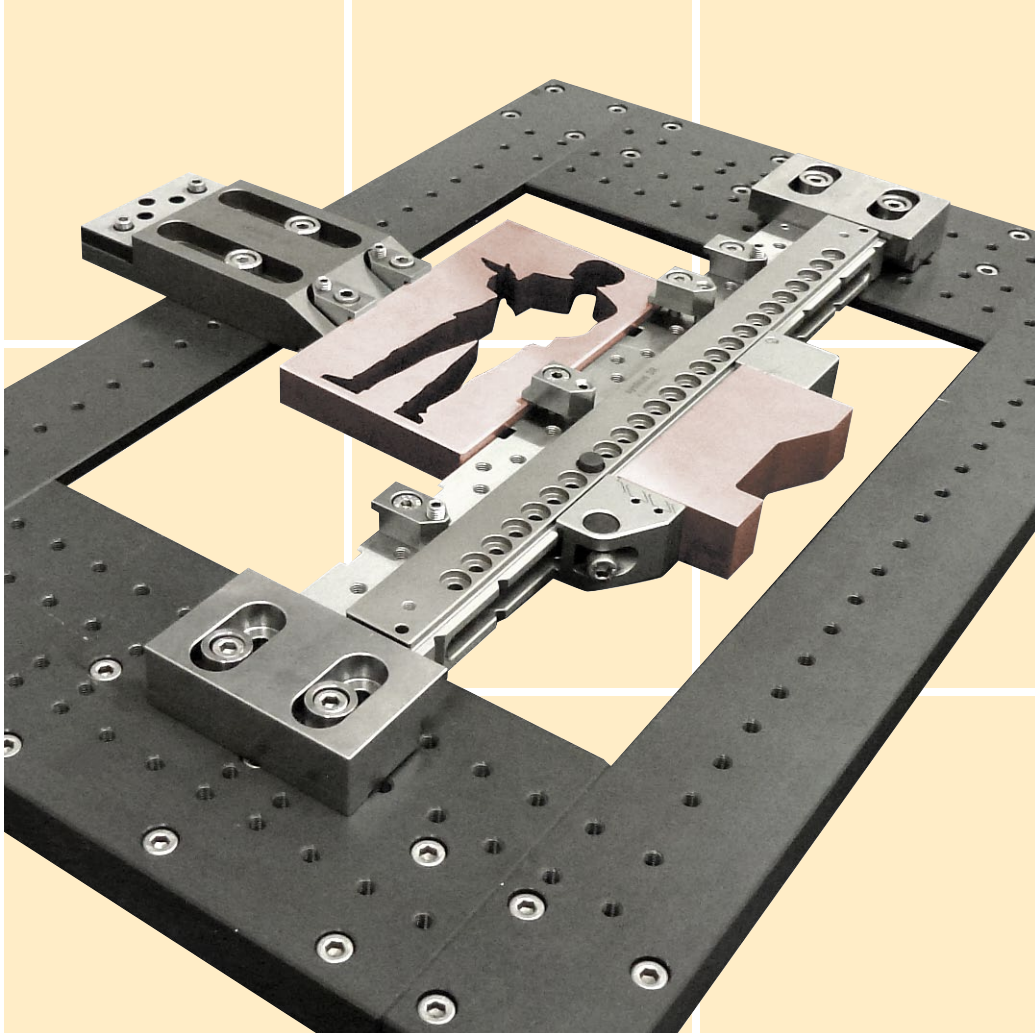
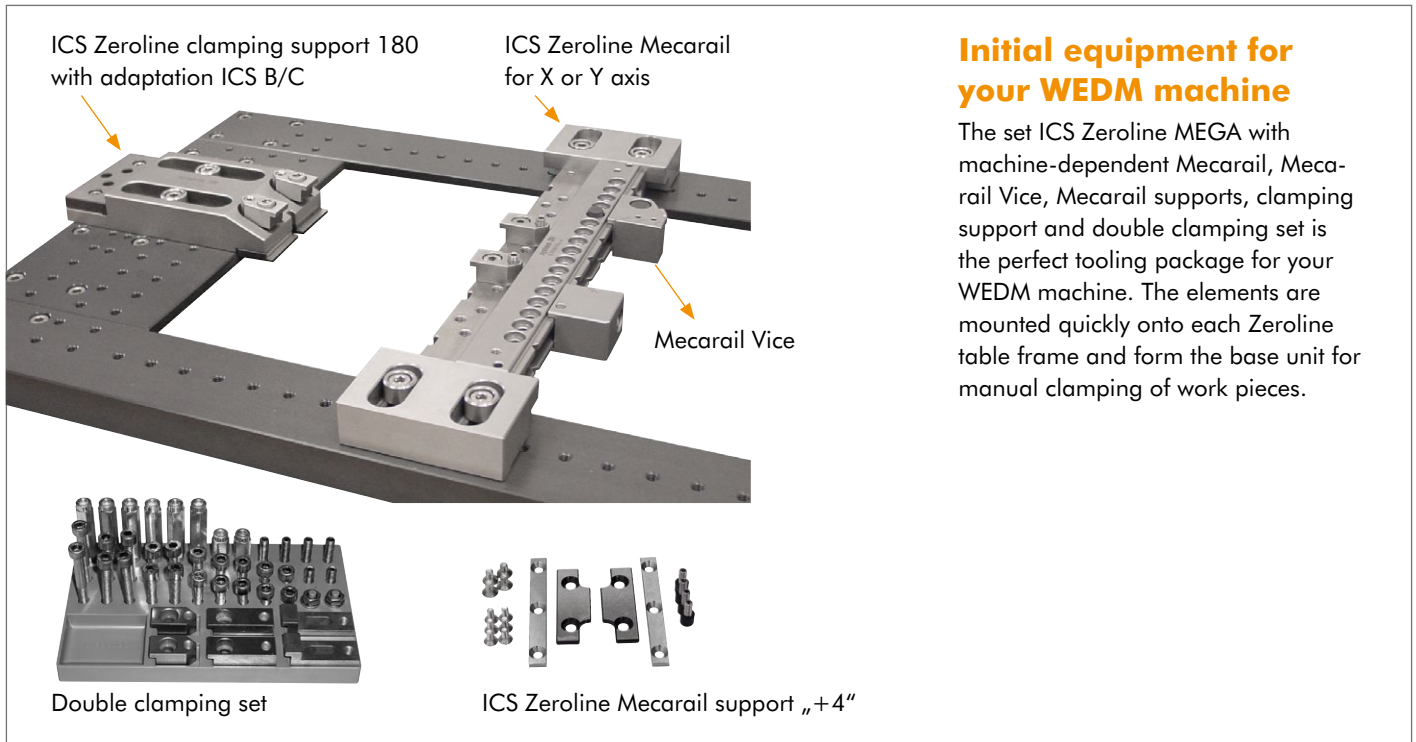


Set ICS Zeroline MEGA



SET ICS ZEROLINE MEGA

for ridged, stable and manual clamping
of work pieces



Initial equipment for your WEDM machine

The set ICS Zeroline MEGA with machine-dependent Mecarail, Mecarail Vice, Mecarail supports, clamping support and double clamping set is the perfect tooling package for your WEDM machine. The elements are mounted quickly onto each Zeroline table frame and form the base unit for manual clamping of work pieces.

Set ICS Zeroline Mega

consisting of:

Set ICS Zeroline Mega Zubehör S 150 360

consisting of (one each):

- S 150 000 Set Mecarail-Vice
- S 150 310 Set base plates " +4"
- C 666 040 ICS Zeroline clamping support 180
- C 860 000 Set Double clamping M8
- E 100 007 Set hexagon Allen wrench

ICS Zeroline Mecarail C 558 XXX

Double sided clamping bar,
including brackets.

Example of order for CUT 2000 X-axis:

- 1x S 150 360
- 1x C 558 030

Quick installation

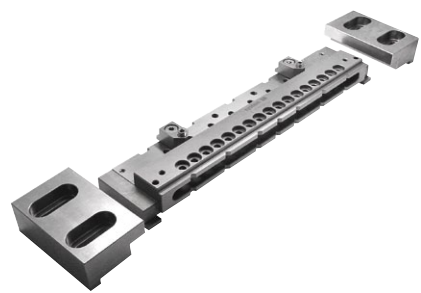
The ICS Zeroline Mecarail with the assembled Mecarail Vice is mounted in X or Y axis of the WEDM machine. With the additional use of the Zeroline clamping support, the clamping elements enable a versatile and secure set-up of parts in the cutting envelope of the WEDM machine.

Application

The set applies mainly to clamp, support and hold parts in the cutting envelope of the WEDM machine. The set ICS Zeroline MEGA can be expanded with clamping elements and adapters from the ICS B & C range.

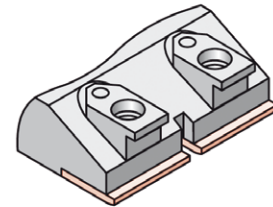
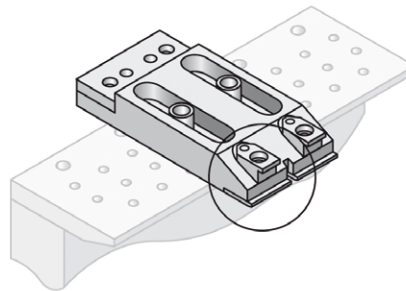
ICS Zeroline Mecarail

are available in various sizes, matched to the wire EDM machine tables. The brackets and screws required for attachment on the machine table are included in the scope of delivery. Please use the selection table on our website (www.system3r.ch) to determine the ICS Zeroline Mecarail specific to your machine or state the make of machine and type when ordering.

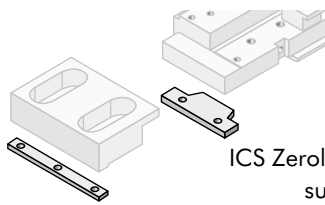


Collision free clamping

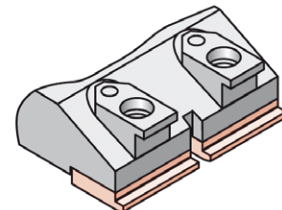
The supports „+4“, are included in the set, they lift the Mecarail's support lips above zero line to remove any possibility of collision with the bottom wire guide. For the clamping support special support lips „0“ and „+4“ are included.



support lips „+4“
for collision free clamping



ICS Zeroline Mecarail
supports „+4“



support lips „0“

Support-clamping of work pieces

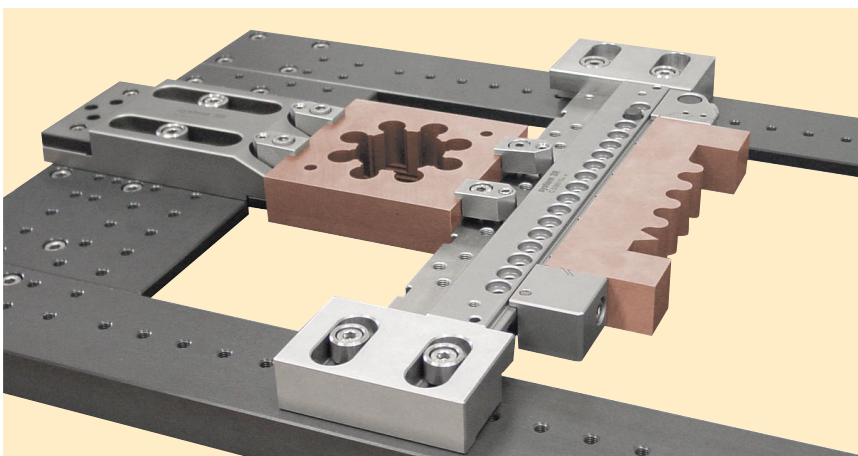
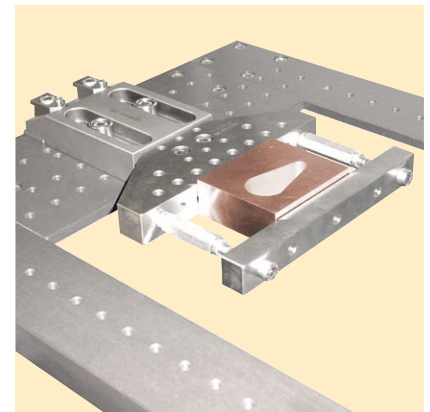
With the Mecarail's clamping bar side and the clamping support plate-shaped and cubic work pieces are „support-clamped“ on „0“ or collision free on „+4“ in the cutting envelope of the WEDM machine.

For „overhung clamping“ of work pieces the clamping support is suitable to only a limited extent for flat and small lightweight parts.

Overhung clamping with the Mecarail-Vice

The most frequently application of the Mecarail Vice is collision free clamping and machining of plates and cubic work pieces of different sizes.

The Mecarail Vice jaw set consists of a fixed and a movable jaw. The guided jaws can be placed according to requirements and in such a way that the gripping mechanism is actuated from left or right hand side. The fixed jaw can be positioned with mechanical stops in several positions. The wire-cut contour in both jaws triggers the pull-down effect when clamping.



System 3R International AB

Sorterargatan 1, SE-162 50 VÄLLINGBY

tel +46-08 620 20 00, fax +46-08 759 52 34, e-mail: info@system3r.com, www.system3r.com

ASIA

Far East, China & India
System 3R Far East Pte.Ltd.
6 Harper Road
Leong Huat Building, #05-01
SINGAPORE SG-369 674
tel +65-6289 4811
fax +65-6289 3011
e-mail: info.sg@system3r.com

Shanghai Contact Office
tel +86-21 6432 7927
fax +86-21 6432 7928
e-mail: info.cn@system3r.com

Beijing Contact Office
tel +86-10 8225 1632
fax +86-10 8225 1635

Guangdong Contact Office
tel +86-769 8162 0628
fax +86-769 8162 0638

Malaysia Contact Office
tel +60-03 7877 4785
fax +60-03 7877 5948

Taiwan Regional Office
tel +886-02 2278 3126
fax +886-02 2278 3108

Japan & Korea
System 3R Japan CO., Ltd.
Kaki Building
2-5-22, Suido, Bunkyo-ku
TOKYO JP-112-0005
tel +81-03 5840-7383
fax +81-03 5840-8723
e-mail: info.jp@system3r.com

Nagoya Regional Office
tel +81-052 774 6250
fax +81-052 774 6285

EUROPE

System 3R Europe GmbH
Wasserweg 19
DE-64521, GROSS-GERAU
tel +49 61 52 80 02 0
fax +49 61 52 80 02 35
e-mail: info.eu@system3r.com

Czech Republic & Slovakia
System 3R Czech
Tiskarska 10/257
CZ-108 28 PRAHA 10
tel +420 234 054 224
fax +420 234 054 225
e-mail: info@system3r.cz

France & Portugal
System 3R France
56 Boulevard de Courcerin
Les Espaces Multiservices 15
F-77183 CROISSY BEAUBURG
tel +33-01 60 95 90 80
fax +33-01 60 37 88 16
e-mail: info.fr@system3r.com

Germany & BeNeLux
System 3R Deutschland
Wasserweg 19
DE-64521, GROSS-GERAU
tel +49 61 52 80 02 0
fax +49 61 52 80 02 35
e-mail: info.de@system3r.com

Italy & Spain
System 3R Italia
Via Ponchielli, 2/4
IT-20063 CERNUSCO SUL NAVIGLIO (MI)
tel +39 02 92 38 821
fax +39 02 92 11 23 19
e-mail: info.it@system3r.com

Scandinavia
System 3R Nordic
Sorterargatan 1
SE-162 50 VÄLLINGBY
tel +46-08 620 20 00
fax +46-08 759 52 34
e-mail: info.no@system3r.com

Järfälla Hårdverkstad
Elektronikhöjden 8
SE-175 43 JÄRFÄLLA
tel +46-08 580 125 50
fax +46-08 580 126 55
e-mail: info@jhv.se

Switzerland & Austria
System 3R Schweiz AG
Wilerstrasse 98
CH-9230 FLAWIL
tel +41-071 394 13 50
fax +41-071 394 13 60
e-mail: info.ch@system3r.com

Turkey
System 3R Türkiye
Abdi İpekçi Cad. Özel İdare İş Merk 150/209
Bayrampasa 34030 İSTANBUL
tel +90-212 613 8062-8063
fax +90-212 613 8069
e-mail: info.tu@system3r.com

United Kingdom
System 3R UK
Paradise Way
Walsgrave Triangle
Coventry, West Midlands
CV2 2ST, United Kingdom
tel +44-02476 538653
fax +44-02476 538695
e-mail: info.uk@system3r.com

AMERICAS

System 3R USA Inc.
Headquarters & Technical Center
915 Busse Road
ELK GROVE VILLAGE, US-IL 60007
tel +1 847 439 4888
fax +1 847 439 5099
e-mail: info.us@system3r.com

Canada & MI
mobile +1 519 870 8339
fax +1 847 439 5099
e-mail: info.us1@system3r.com

*AZ, CA, CO, ID, MT, NM, NV, OR, UT,
WA, WY & Mexico*
mobile +1 714 299 4923
fax +1 847 439 5099
e-mail: info.us2@system3r.com

IA, MN, ND, NE, SD & Western WI
mobile +1 612 963 6904
fax +1 847 439 5099
e-mail: info.us3@system3r.com

*AR, IN, KY, OH, TN, MO, KS, OK &
Southern IL*
mobile +1 317 694 7508
fax +1 847 439 5099
e-mail: info.us4@system3r.com

AL, FL, GA, LA, MS, NC, SC & TX
mobile +1 813 326 0125
fax +1 847 439 5099
e-mail: info.us5@system3r.com

Nothern IL & Eastern WI
mobile +1 847 400 6073
fax +1 847 439 5099
e-mail: info.us6@system3r.com

NJ, NY & PA
mobile +1 201 248 3885
fax +1 847 439 5099
e-mail: info.us7@system3r.com

*CT, DC, DE, MA, MD, ME, NH, RI, VA, VT
& WV*
mobile +1 201 214 7088
fax +1 847 439 5099
e-mail: info.us8@system3r.com

For further information, see
www.system3r.com