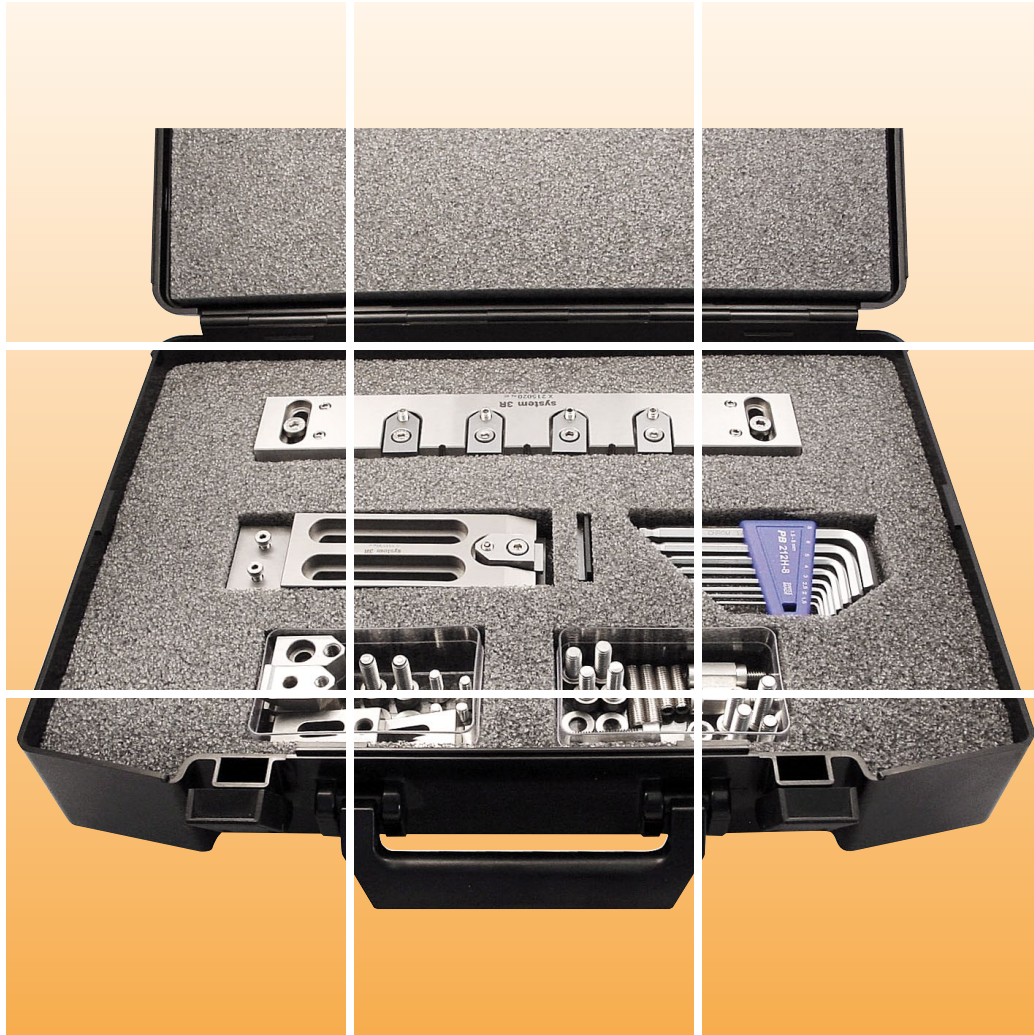


Starter-Set CUT 1000



Starter-set CUT 1000

Starter-set CUT 1000, S 150 560: for ridged, stable and manual clamping of work pieces on your CUT 1000.

Initial equipment for your WEDM machine

The WEDM CUT 1000 starter-set with clamping bar and clamping support is the ideal choice to maximise the performance from your GF AgieCharmilles WEDM machine CUT 1000. The elements are mounted quickly on the machine table and form the base unit for manual clamping of work pieces.

S 150 560 consists of:

- 1x C 666 060 Clamping support 155
- 1x C 557 300 CUT 1000 clamping bar
" +4"/"0"
- 1x Set screws/extensions M8
- 1x E 100 007 Set hexagon Allen wrench
Supplied in a case



Set CUT 1000 - S 150 560

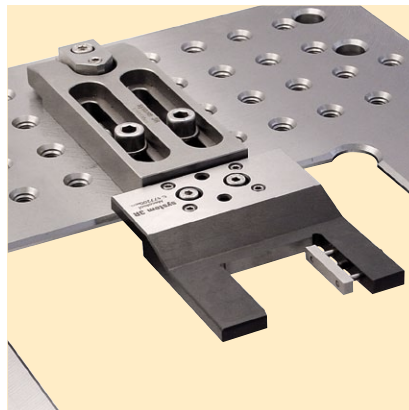
- Rigid and stable manual clamping of work pieces
- No reference elements necessary
- Clamping support & clamping bar with exchangeable support lips/distance plates „0” or „+4” for collision free clamping
- Interface to support all clamping elements from the ICS A range
- Clamps for flat parts

Application

The set applies mainly to clamp, support and hold parts in the cutting envelope of the WEDM machine.

Expandable

The CUT 1000 starter-set can be expanded with clamping elements from the ICS A range.



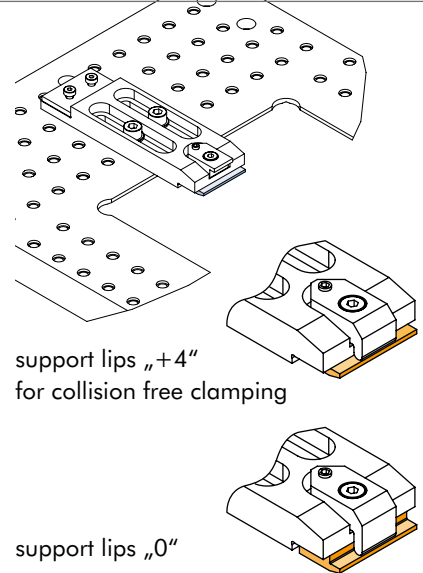
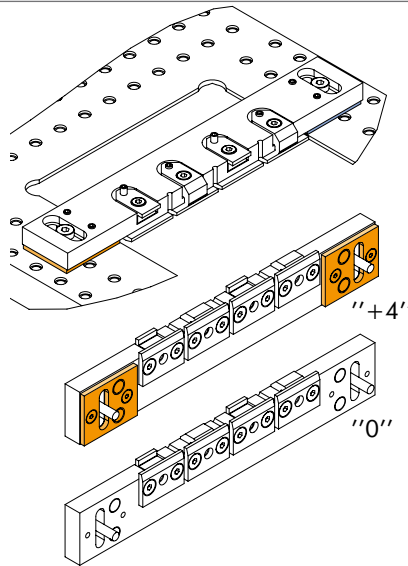
Option: ICS side clamp A
C 577 200



Option: ICS Mecavice A
C 577 250

Collision free clamping

The supports „+4“, are included in the set, they lift the support lips of the clamping bar above zero line to remove any possibility of collision with the bottom wire guide. For the clamping support special support lips „0“ and „+4“ are included.

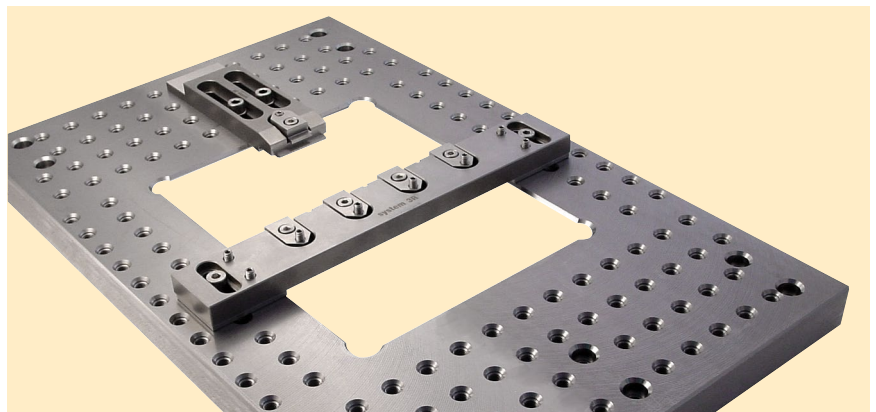
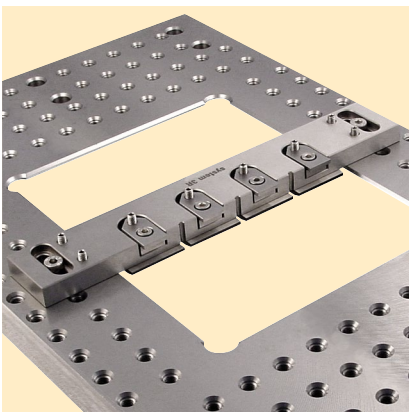
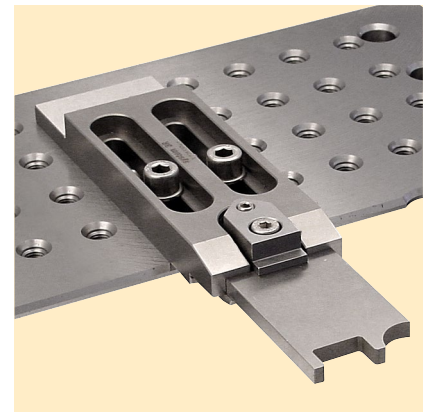


Quick installation

The CUT 1000 clamping bar is mounted in Y axis of the WEDM machine. With the additional use of the Zeroline clamping support in X axis, the clamping elements enable a versatile and secure set-up of parts in the cutting envelope of the WEDM machine.

Support-clamping of work pieces

The clamping support 155 is mounted best in X axis on the machine table. It can be used in combination with the clamping bar or also as single clamp for „overhung clamping“ of smaller work pieces. All clamping elements ICS A for small parts can be mounted to the integrated ICS interface on the rear of the support.



System 3R International AB

Sorterargatan 1, SE-162 50 VÄLLINGBY

tel +46-08 620 20 00, fax +46-08 759 52 34, e-mail: info@system3r.com, www.system3r.com

ASIA

Far East, China & India
System 3R Far East Pte.Ltd.
6 Harper Road
Leong Huat Building, 01-01
SINGAPORE SG-369 674
tel +65-6289 4811
fax +65-6289 3011
e-mail: info.sg@system3r.com

Shanghai Contact Office
tel +86-21 6432 7927
fax +86-21 6432 7928
e-mail: info.cn@system3r.com

Beijing Contact Office
tel +86-10 8225 1632
fax +86-10 8225 1635

Guangdong Contact Office
tel +86-769 8162 0628
fax +86-769 8162 0638

Malaysia Contact Office
tel +60-03 7877 4785
fax +60-03 7877 5948

Taiwan Regional Office
tel +886-02 2278 3126
fax +886-02 2278 3108

Japan & Korea
System 3R Japan CO., Ltd.
Kaki Building
2-5-22, Suido, Bunkyo-ku
TOKYO JP-112-0005
tel +81-03 5840-7383
fax +81-03 5840-8723
e-mail: info.jp@system3r.com

Nagoya Regional Office
tel +81-052 774 6250
fax +81-052 774 6285

EUROPE

System 3R Europe GmbH
Wasserweg 19
DE-64521, GROSS-GERAU
tel +49 61 52 80 02 0
fax +49 61 52 80 02 35
e-mail: info.eu@system3r.com

Czech Republic & Slovakia
System 3R Czech
Tiskarska 10/257
CZ-108 28 PRAHA 10
tel +420 234 054 224
fax +420 234 054 225
e-mail: info@system3r.cz

France & Portugal
System 3R France
56 Boulevard de Courcerin
Les Espaces Multiservices 15
F-77183 CROISSY BEAUBURG
tel +33-01 60 95 90 80
fax +33-01 60 37 88 16
e-mail: info.fr@system3r.com

Germany & BeNeLux
System 3R Deutschland
Wasserweg 19
DE-64521, GROSS-GERAU
tel +49 61 52 80 02 0
fax +49 61 52 80 02 35
e-mail: info.de@system3r.com

Italy & Spain
System 3R Italia
Via Ponchielli, 2/4
IT-20063 CERNUSCO SUL NAVIGLIO (MI)
tel +39 02 92 38 821
fax +39 02 92 11 23 19
e-mail: info.it@system3r.com

Scandinavia
System 3R Nordic
Sorterargatan 1
SE-162 50 VÄLLINGBY
tel +46-08 620 20 00
fax +46-08 759 52 34
e-mail: info.no@system3r.com

Järfälla Hårdverkstad
Elektronikhöjden 8
SE-175 43 JÄRFÄLLA
tel +46-08 580 125 50
fax +46-08 580 126 55
e-mail: info@jhv.se

Switzerland & Austria
System 3R Schweiz AG
Wilerstrasse 98
CH-9230 FLAWIL
tel +41-071 394 13 50
fax +41-071 394 13 60
e-mail: info.ch@system3r.com

Turkey
System 3R Türkiye
Abdi İpekçi Cad. Özel İdare İş Merk 150/209
Bayrampasa 34030 İSTANBUL
tel +90-212 613 8062-8063
fax +90-212 613 8069
e-mail: info.tu@system3r.com

United Kingdom
System 3R UK
Paradise Way
Walsgrave Triangle
Coventry, West Midlands
CV2 2ST, United Kingdom
tel +44-02476 538653
fax +44-02476 538695
e-mail: info.uk@system3r.com

AMERICAS

System 3R USA Inc.
Headquarters & Technical Center
915 Busse Road
ELK GROVE VILLAGE, US-IL 60007
tel +1 847 439 4888
fax +1 847 439 5099
e-mail: info.us@system3r.com

Canada & MI
mobile +1 519 870 8339
fax +1 847 439 5099
e-mail: info.us1@system3r.com

*AZ, CA, CO, ID, MT, NM, NV, OR, UT,
WA, WY & Mexico*
mobile +1 714 299 4923
fax +1 847 439 5099
e-mail: info.us2@system3r.com

IA, MN, ND, NE, SD & Western WI
mobile +1 612 963 6904
fax +1 847 439 5099
e-mail: info.us3@system3r.com

*AR, IN, KY, OH, TN, MO, KS, OK &
Southern IL*
mobile +1 317 694 7508
fax +1 847 439 5099
e-mail: info.us4@system3r.com

AL, FL, GA, LA, MS, NC, SC & TX
mobile +1 813 326 0125
fax +1 847 439 5099
e-mail: info.us5@system3r.com

Nothern IL & Eastern WI
mobile +1 847 400 6073
fax +1 847 439 5099
e-mail: info.us6@system3r.com

NJ, NY & PA
mobile +1 201 248 3885
fax +1 847 439 5099
e-mail: info.us7@system3r.com

*CT, DC, DE, MA, MD, ME, NH, RI, VA, VT
& WV*
mobile +1 201 214 7088
fax +1 847 439 5099
e-mail: info.us8@system3r.com

For further information, see
www.system3r.com