

system 3R

Starter-Set ZeroLine Go!

Manual
Clamping
System for
Wire EDM



- ✓ Rugged, stable manual clamping of workpieces
- ✓ No reference elements necessary
- ✓ Clamping support with exchangeable support lips „0“ or „+4“ for collision free clamping
- ✓ Interface to support all clamping elements ICS B and C
- ✓ Simple handling



**Your present:
1 pocket knife**

S 150 550 Set Zeroline Go!

consisting of:

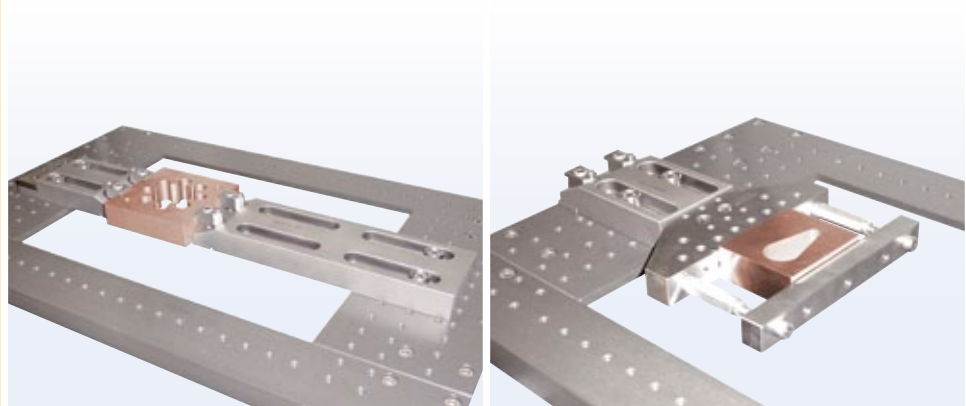
- 1x C 666 020 Clamping Support 300
- 1x C 666 040 Clamping Support 180
- 1x C 642 050 Flange 26/200
- 4x N 150 000 Support Lips "4"
- 4x C 666 022 Support Lips "0"
- 1x S 150 350 Set Screws/
Extensions M8
- 6x N 153 010 Bushings M8
- 1x E 100 007 Set hexagon allen
wrench

Set packed in case

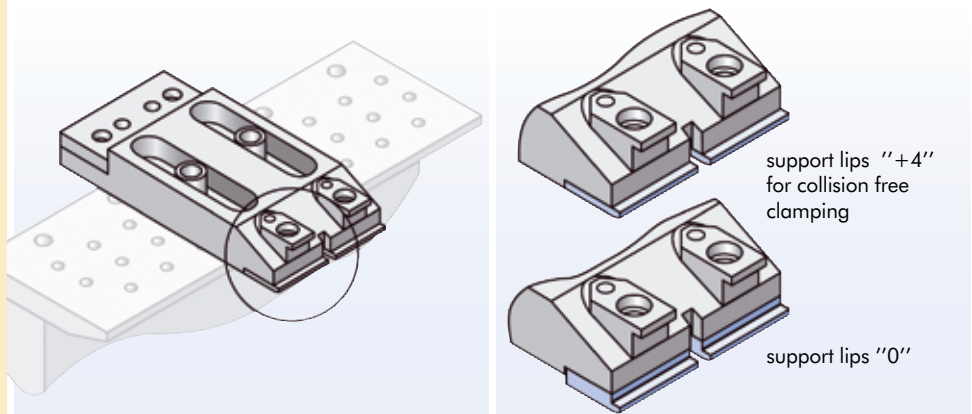
Technical data see WEDM catalogue



**Quick
installation
on each
machine table**

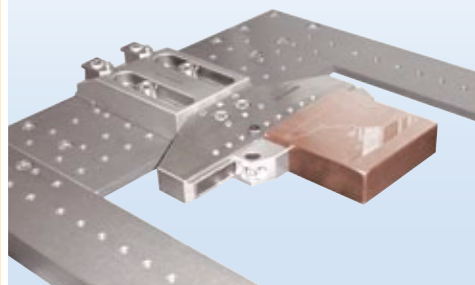


**Collision free
clamping**



**Expandable
with all
ICS B and C
clamping
elements**

ICS Mecavice B (option)
C 577 350



ICS vice C (option)
C 574 550

